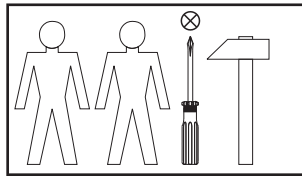
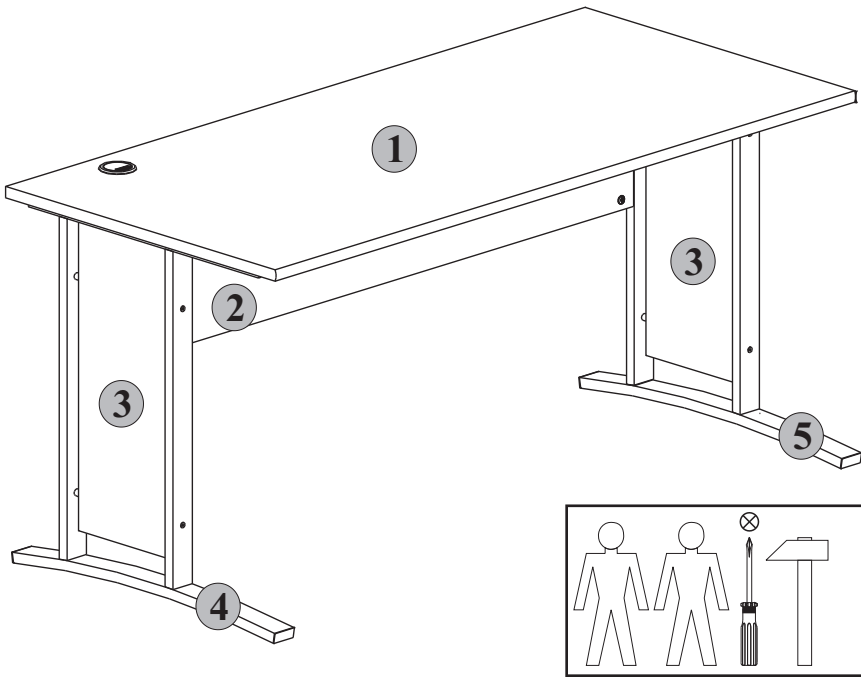
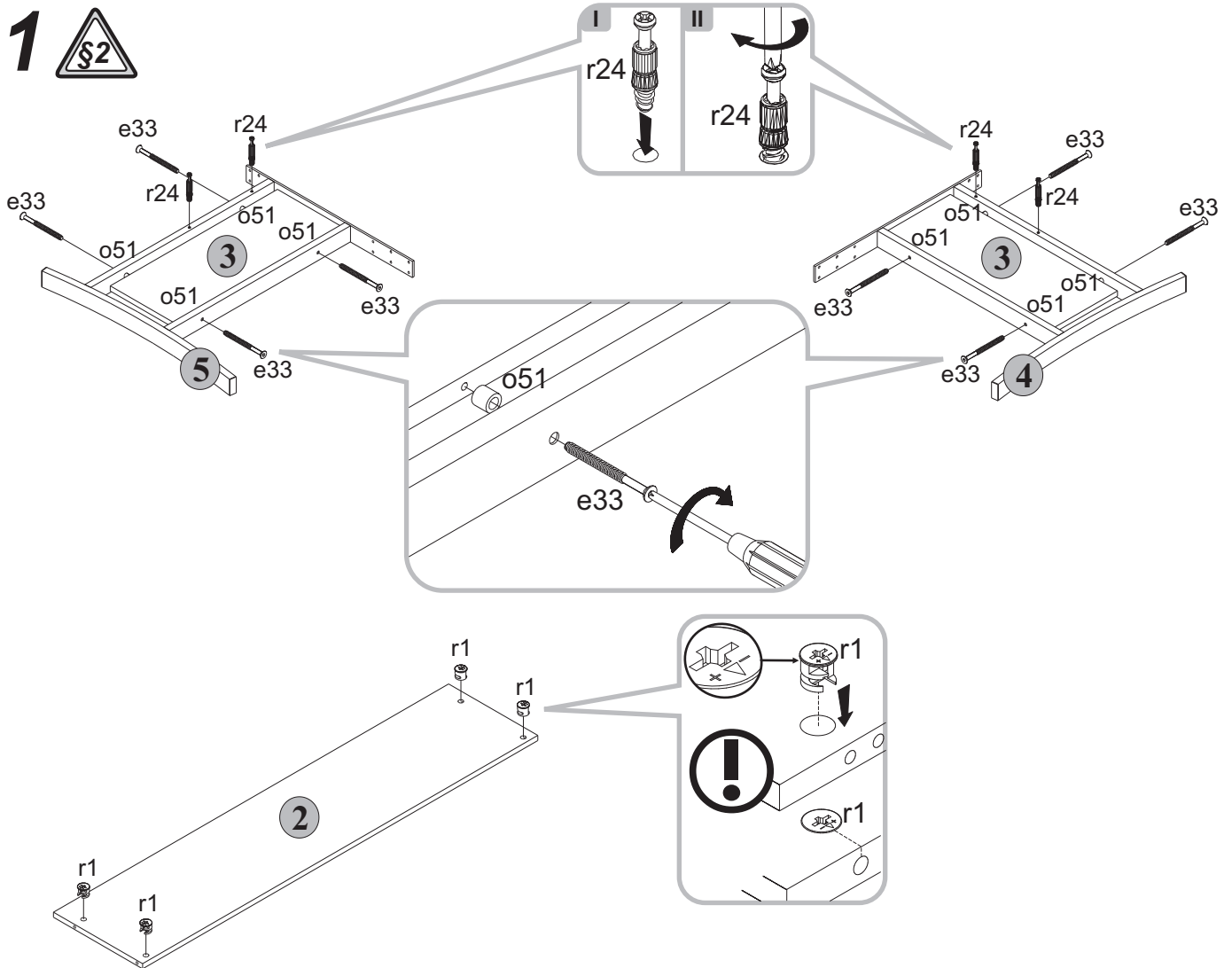
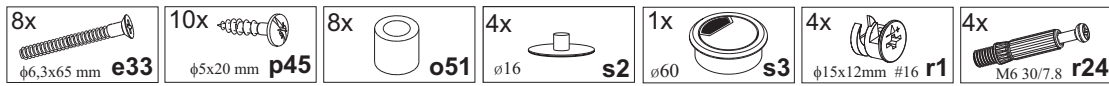


39-453
39-454

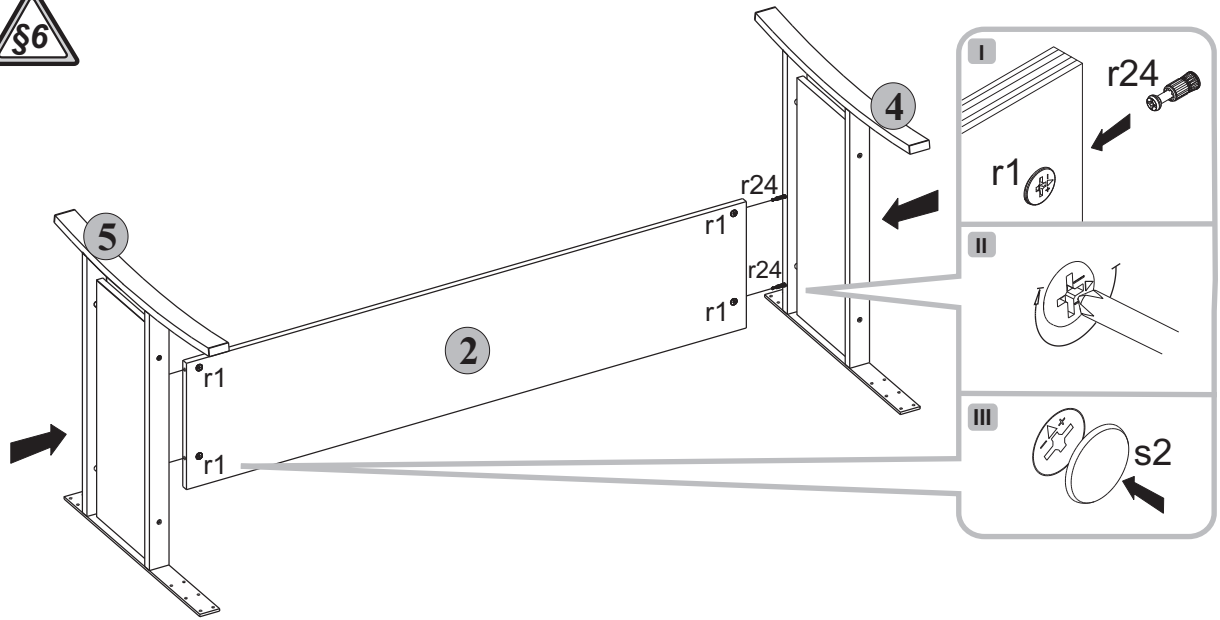
S19-BIU/150



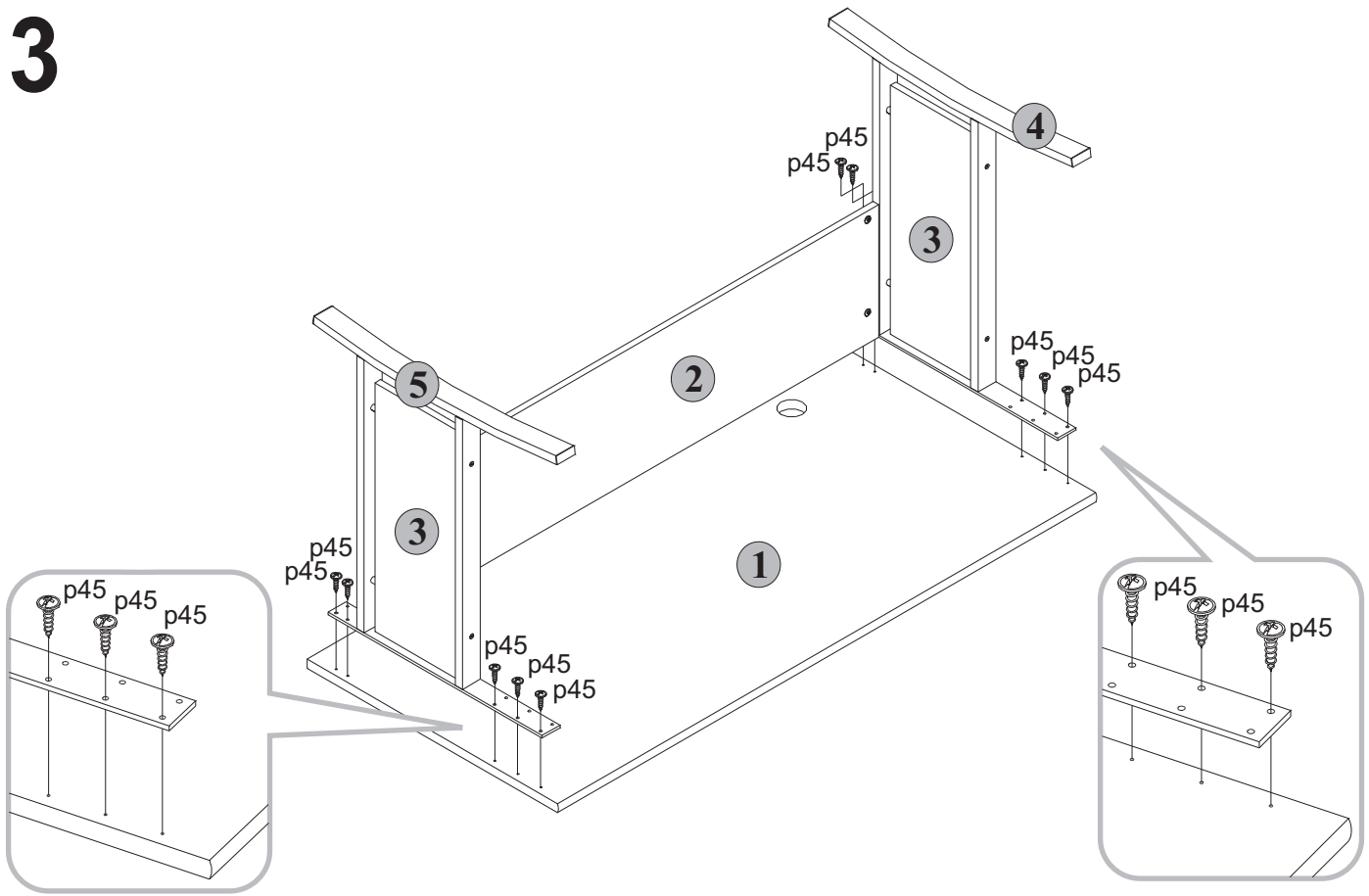
§1			
A	B	C	D
1	S19-2067/A	1500x700	1/2
2	S19-465	1386x320	1/2
3	S19-459	600x228	1/2
4	NZL/A	675x700	2/2
5	NZP/A	675x700	2/2



2



3



4

