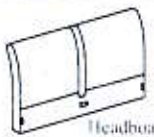
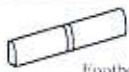







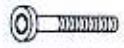




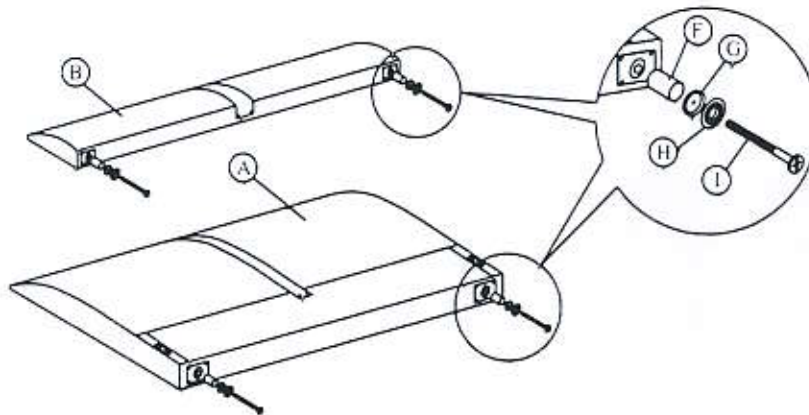
Model: CF 8125 (6')

ASSEMBLY INSTRUCTION

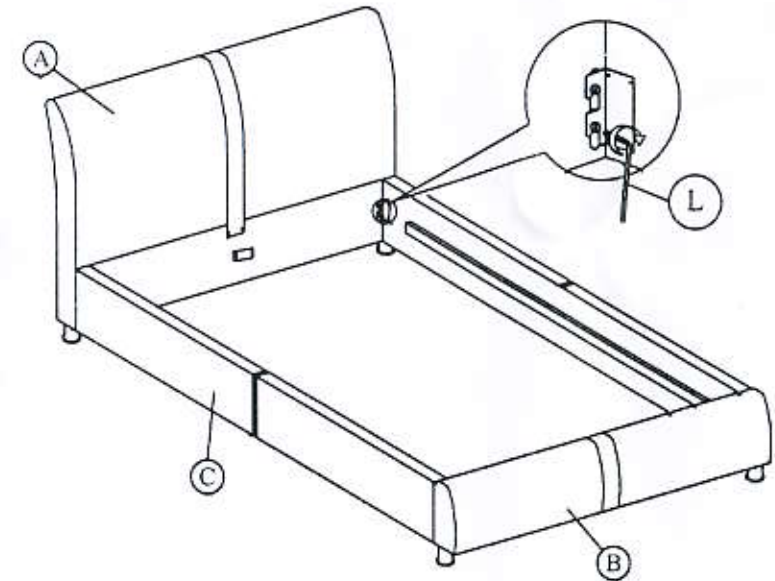
77218

A		1 pc
B		1 pc
C		2 pcs
D		1 pc
E		3 pcs
F		4 pcs
G		4 pcs
H		4 pcs
I		4 pcs
J		3 pcs
K		1 pc
L		1 pc

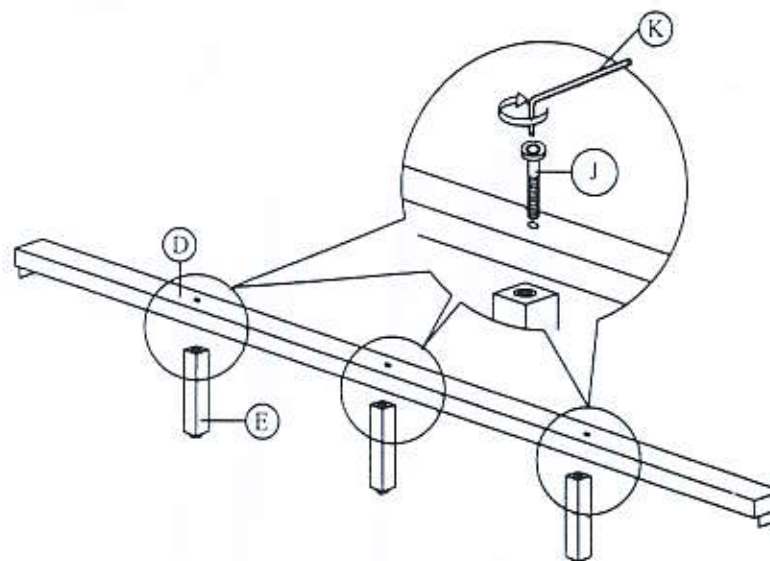
Step 1: Install the silver steel leg according to the diagram shown as below.
Tighten the screws at both headboard and footboard.



Step 2: Attach side rail to headboard and footboard by pushing the bracket down to fit it. Tighten all the 4 corners.



Step 3: Attach 3 of the support legs to the center rail of the bed as shown.



Step 4: Slide the center rail to the headboard and footboard as shown.

