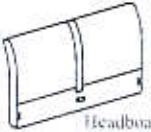







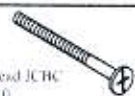





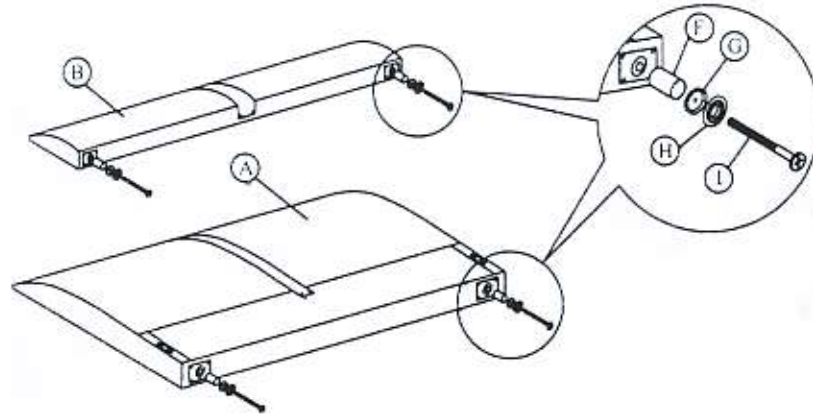
Model: FEBO CF 8125 (6')

ASSEMBLY INSTRUCTION

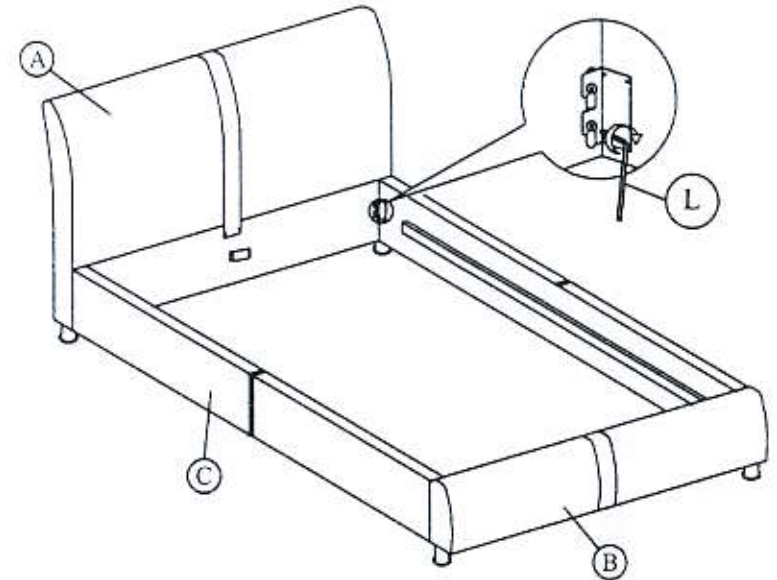
77218/15

A	 Headboard	1 pc
B	 Footboard	1 pc
C	 Siderail	2 pcs
D	 Center rail	1 pc
E	 Support Leg	3 pcs
F	 Silver Pipe	4 pcs
G	 Silver Cap	4 pcs
H	 PVC Base for Leg	4 pcs
I	 Phillip Head JCB M6 X 110	4 pcs
J	 JCB M6 X 40	3 pcs
K	 M4 x 65mm	1 pc
L	 M5 x 70mm	1 pc

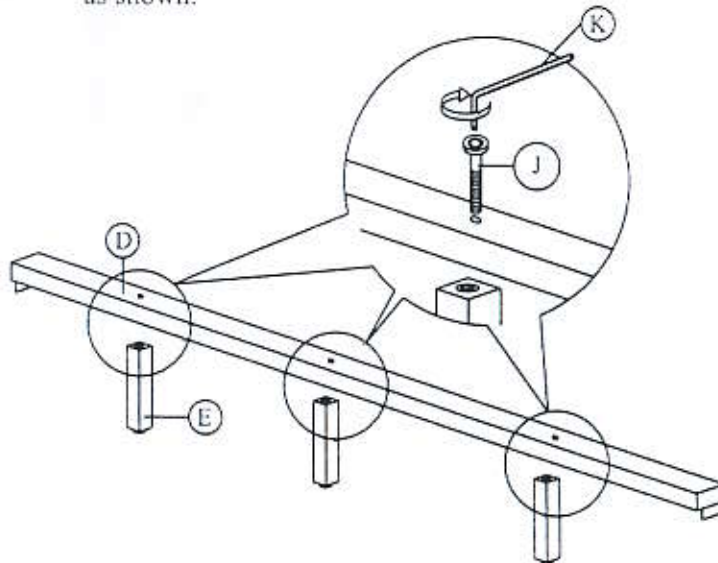
Step 1: Install the silver steel leg according to the diagram shown as below.
Tighten the screws at both headboard and footboard.



Step 2: Attach side rail to headboard and footboard by pushing the bracket down to fit it.



Step 3: Attach 3 of the support legs to the center rail of the bed as shown.



Step 4: Slide the center rail (D) to the headboard (A) and footboard (B) as shown. Tighten all the 4 corner.

