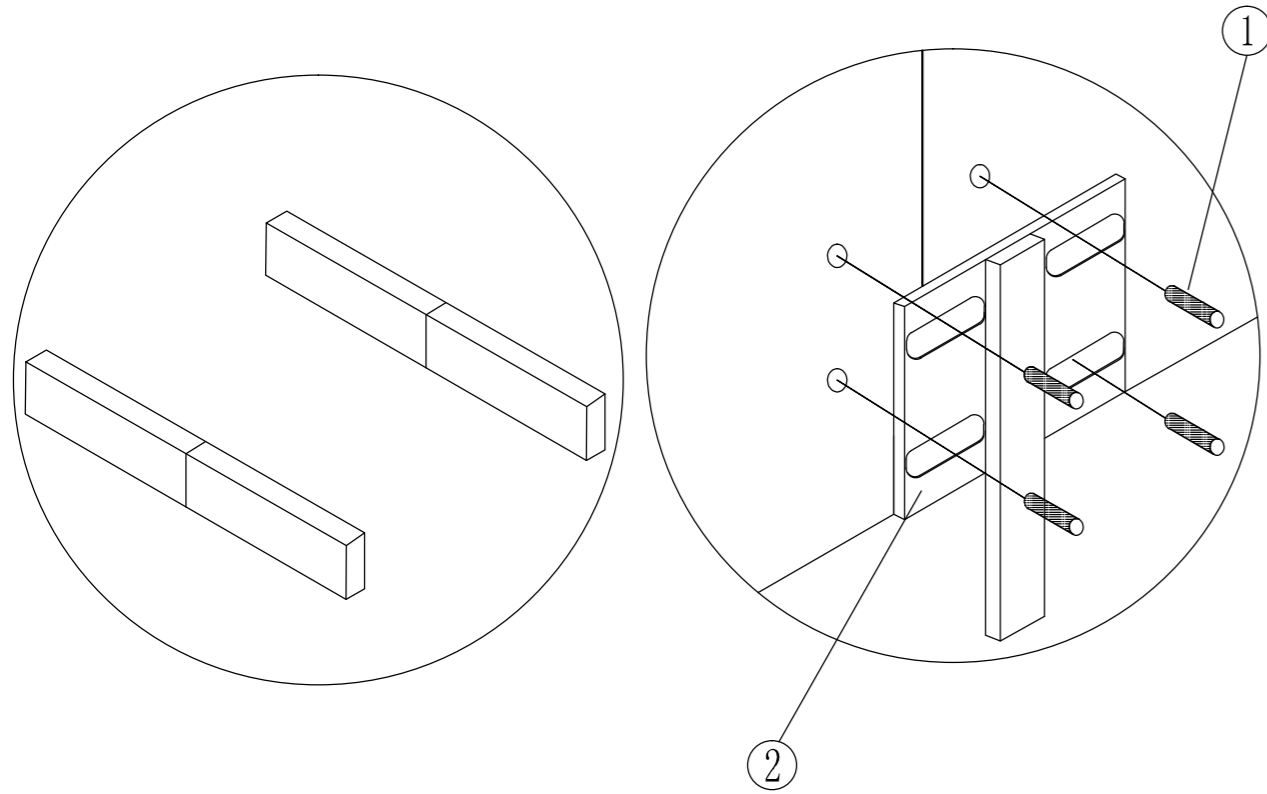


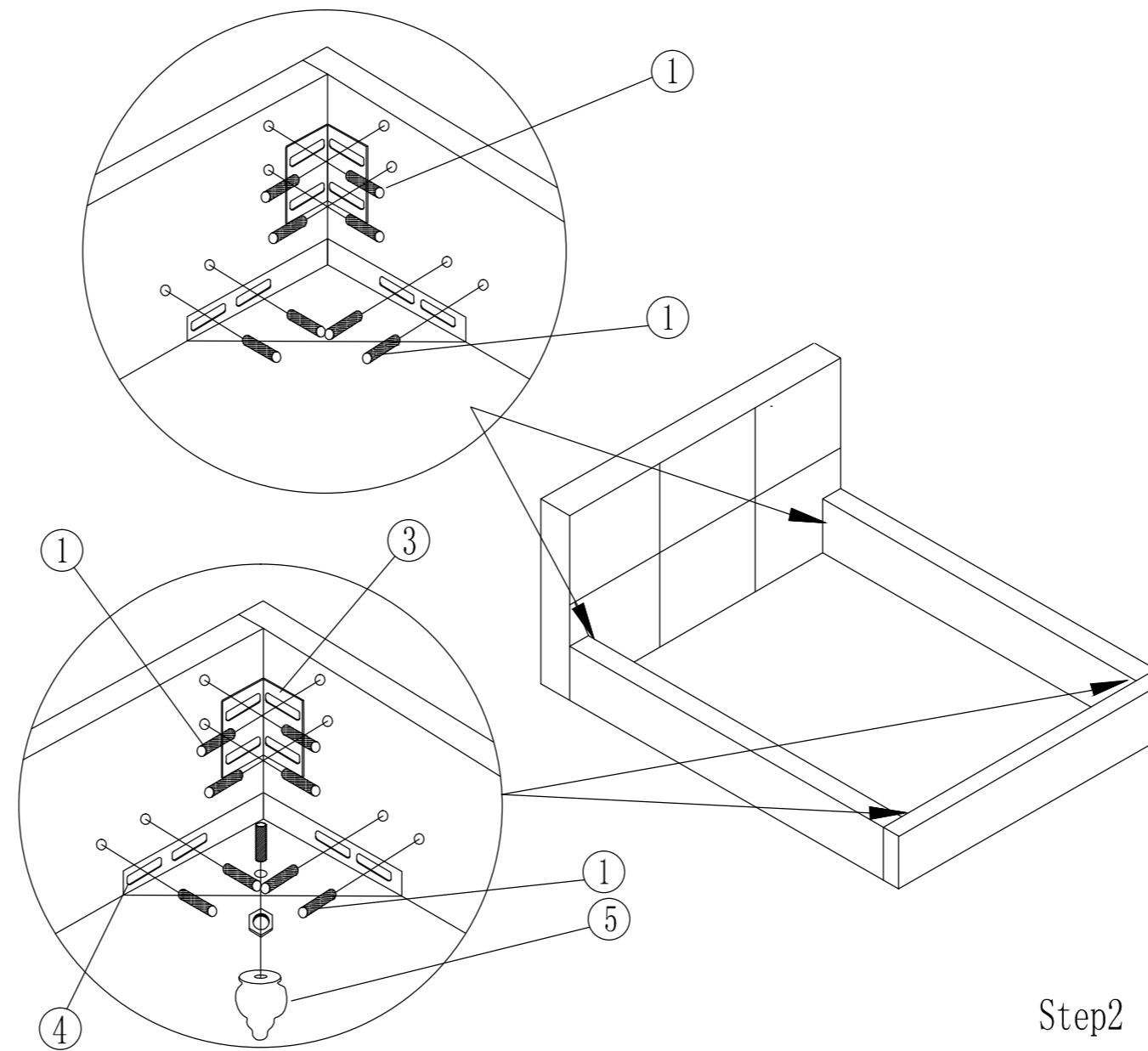
# Bed Installation Manual

Model: HB012

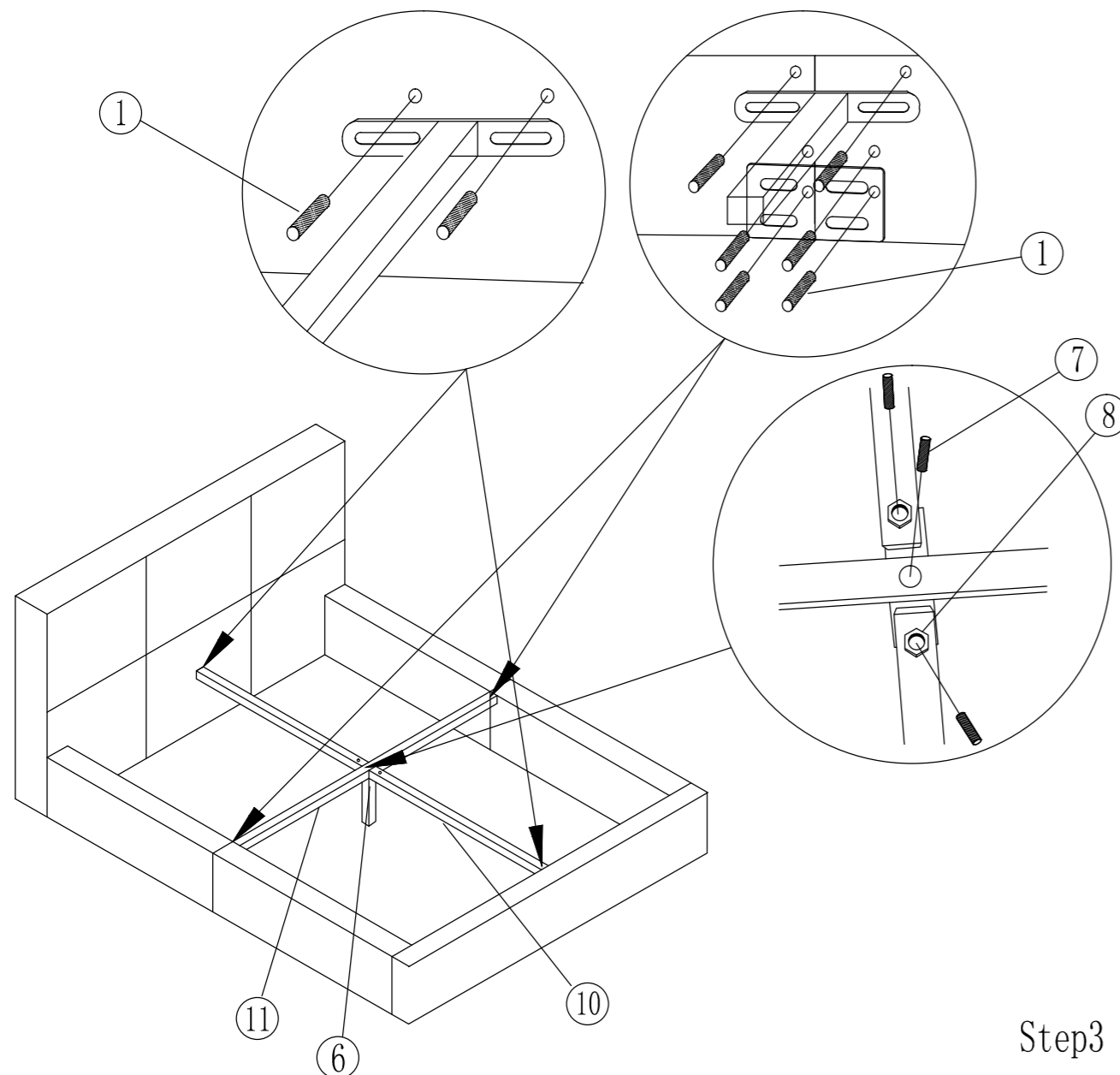
Unit: CM



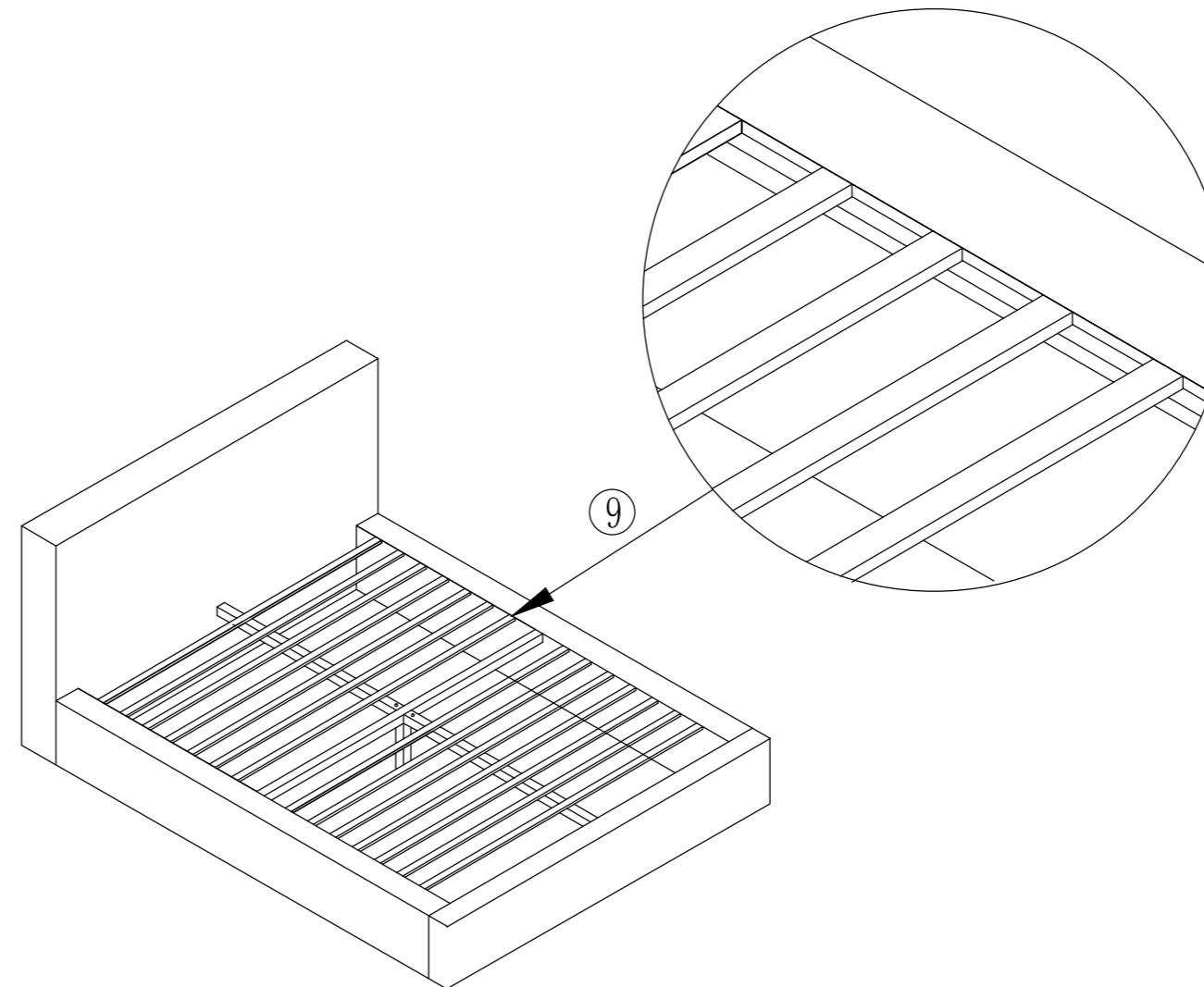
Step1



Step2



Step3



Step4

NO	Image	Parts Name	Size	Qty
1		Screws	8*25mm	48pcs
2		Brackets		2pcs
3		L brackets		4pcs
4		Triangle brackets		4pcs
5		Bed stand		2pcs
6		Adjustable slats panel		1pcs
7		Screws	8*40mm	3pcs
8		Nuts	8*5mm	4pcs
9		Wood slates		14pcs
10		K/D ordinate stand		2pcs
11		K/D abscissa stand		1pcs