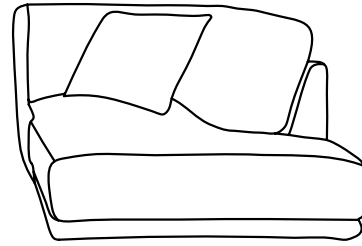


Ax1



Bx1



Cx4

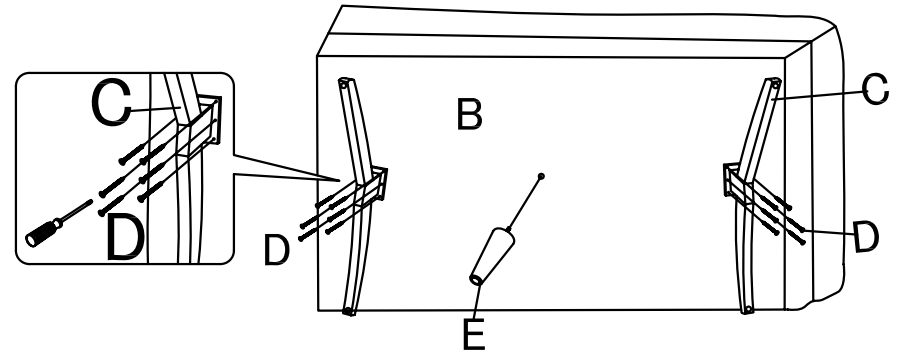


Dx24

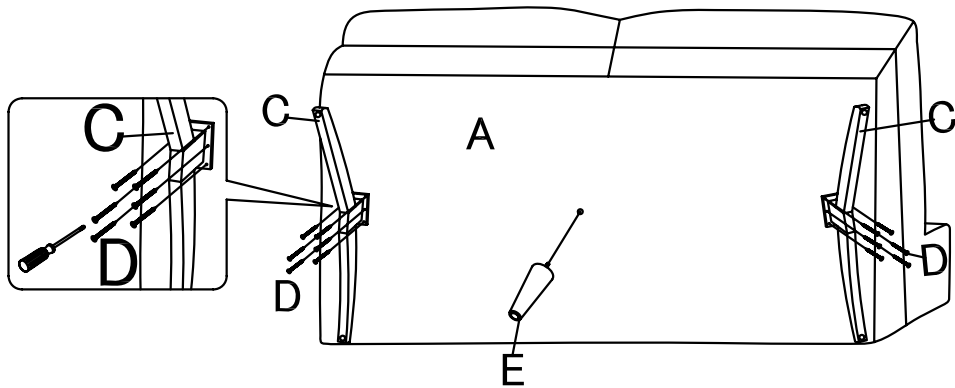


Ex2

STEP2



STEP1



STEP3

